

## Solid CAD

SigmaNEST<sup>®</sup>, Solid CAD translators are an add-on feature to any SigmaNEST package. This allows users to be able to import CAD files from many of the industry's leading 3-D CAD software programs.

### SigmaNEST Solid CAD translators

- Provide direct translation from a 3-D model to a series of corresponding 2-D parts in SigmaNEST.
- Import individual parts or whole assemblies to be profile cut, routed, or punched.
- Integrate seamlessly with the industries current 3-D CAD programs; such as SolidWorks, Solid Edge, Autodesk Inventor, Unigraphics, CATIA, and Pro/ENGINEER.
- Take advantage of the Solid CAD program's intelligence by internally using its components to ensure the most accurate and efficient translation possible.
- Import all relevant information; such as material types and thicknesses, and part quantities into SigmaNEST.

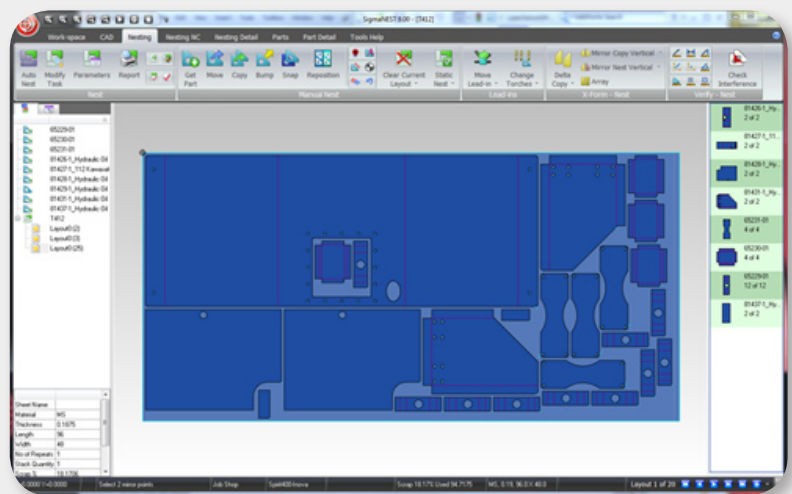
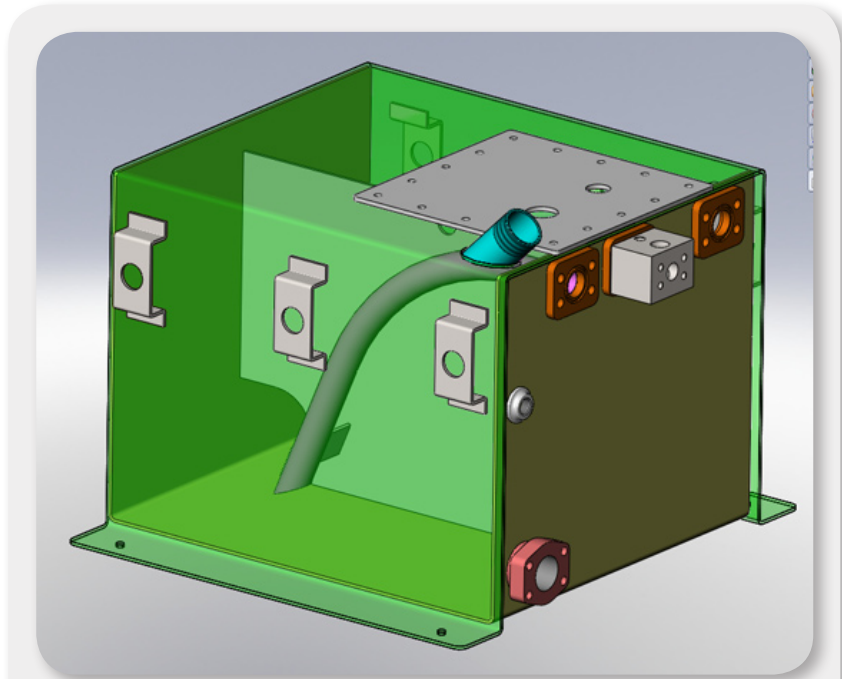


Figure 1: Solid CAD translator example

## CONTACT

Sales@sigmanest.com  
www.sigmanest.com  
513.674.0005